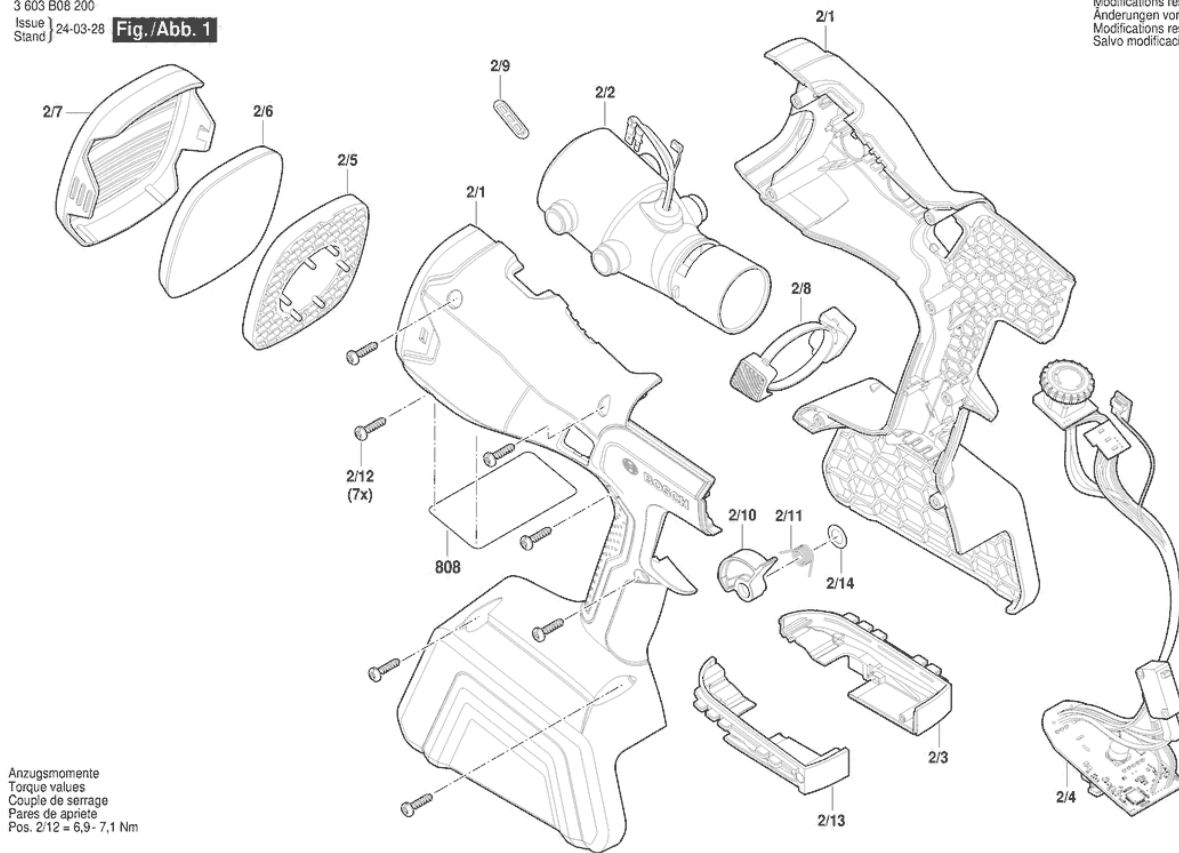


Illustration - Type - E

3 603 B08 200
Issue
Stand | 24-03-28

Fig./Abb. 1

Modifications reserved
Änderungen vorbehalten
Modifications réservées
Salvo modificaciones



Anzugsmomente
Torque values
Couple de serrage
Pares de apriete
Pos. 2/12 = 6,9- 7,1 Nm

Spare parts list

Item	Part Number	Description	Illustration
2/10	1 600 A02 G1D	Lever	1
2/1	1 605 806 6MA	Housing	1
2/11	1 600 A02 V0V	Spring	1
2/12	2 603 490 022	Screw 4X16	1
2/13	1 600 A02 U27	Battery Plate	1
2/14	2 600 101 077	Shim 0,5 MM	1
2/2	1 600 A03 1RZ	Blower	1
2/3	1 600 A02 JT0	Battery Plate	1
2/4	1 600 A02 S83	Electronic Assembly	1
2/5	1 600 A02 G18	Filter holder	1
2/6	1 617 S02 07K	Air Filter	1
2/7	1 605 108 2TL	Filter Cover	1
2/8	1 600 A02 G19	Elastic Element	1
2/9	1 601 11C 4BW	Sticker	1
808	1 617 S01 YA2	Nameplate	1
1/10	1 605 108 2T9	O-Ring	2
1/11	1 605 108 2SZ	Nozzle	2
1/12	1 600 A02 S8T	Spraying Nozzle	2
1/14	1 605 108 2T0	Union Nut	2
1/15	1 605 108 2T7	Suction Pipe	2
1/16	1 605 108 2T8	Sealing Plate	2
1/3	1 605 108 2T6	Ink Reservoir	2
1/4	1 600 210 0AN	O-Ring	2
10	1 600 A02 S8U	Spraying Nozzle	2
651	1 607 A35 0S2	Battery Pack	2
653	2 607 226 517	Charger	2
899	1 600 A02 T0A	spray gun	2